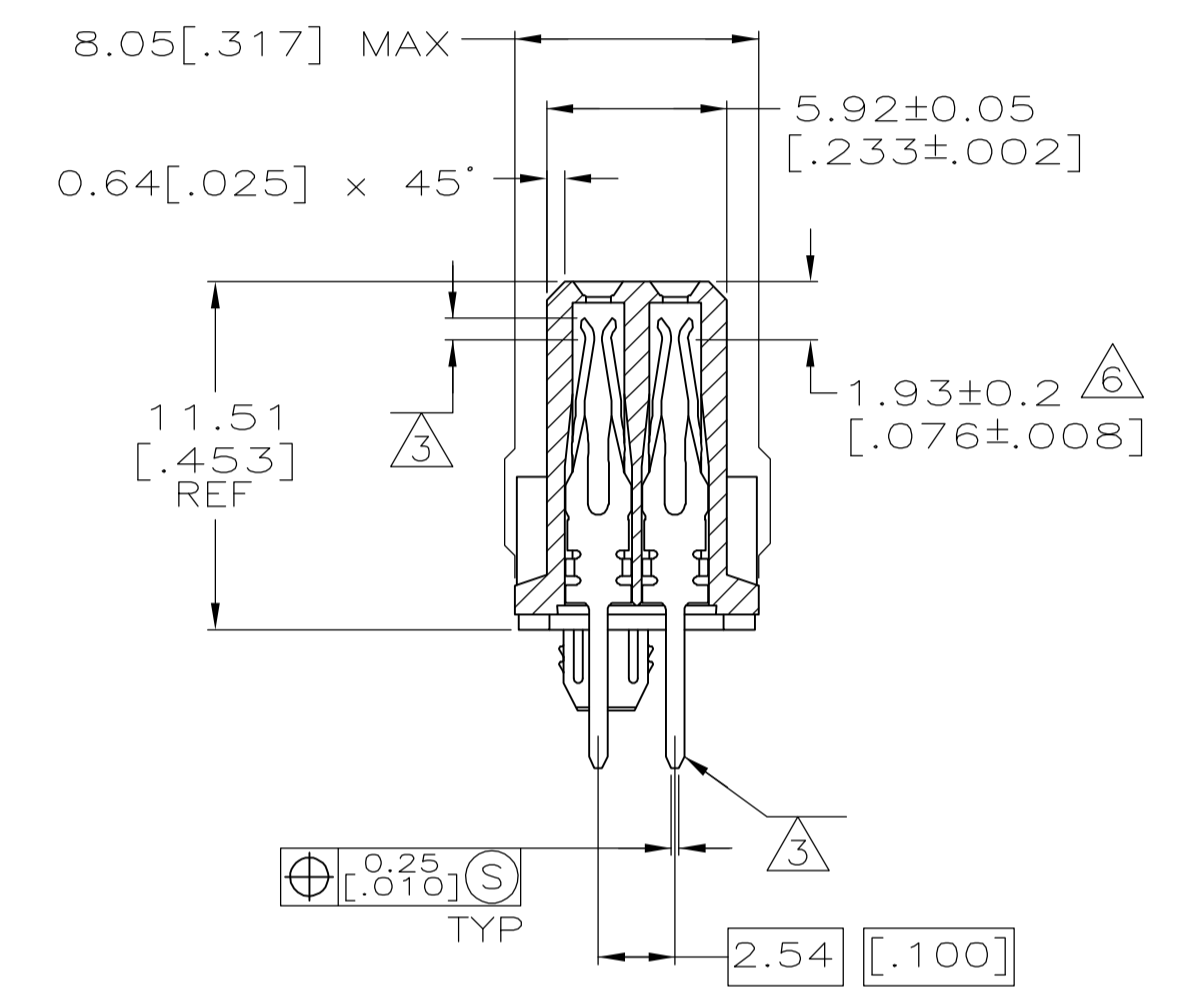
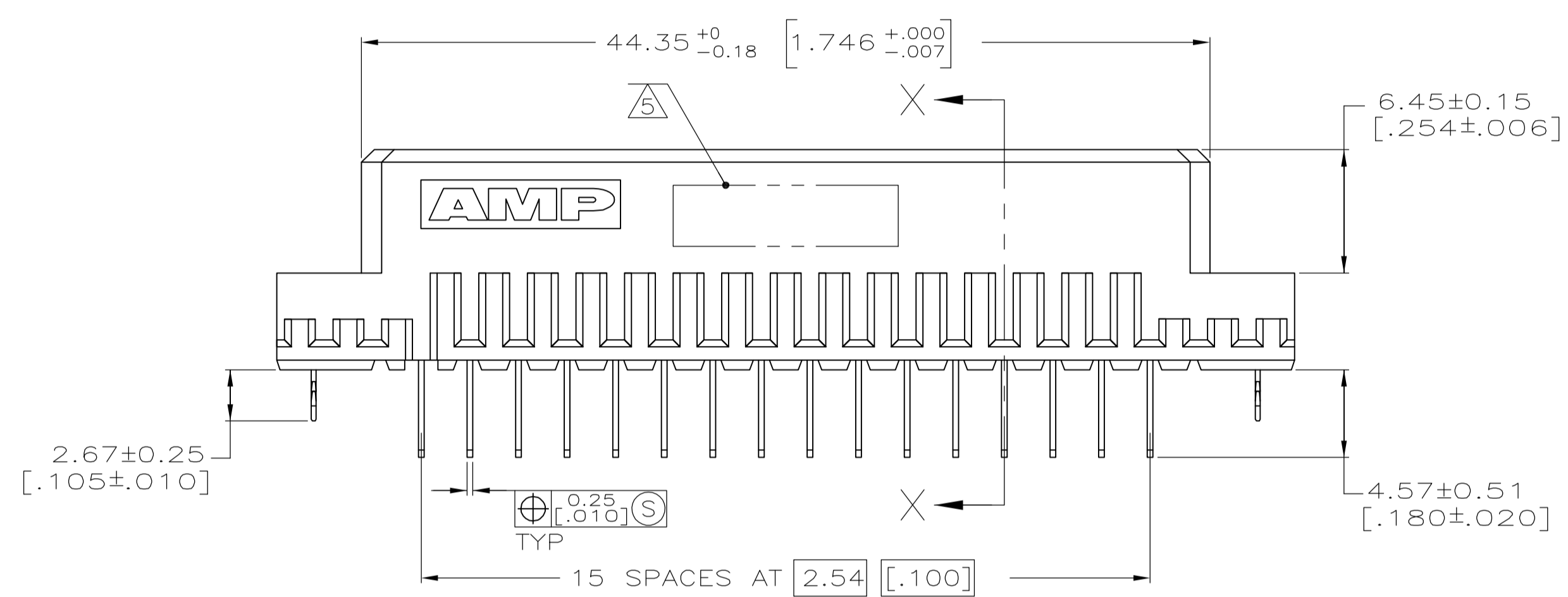
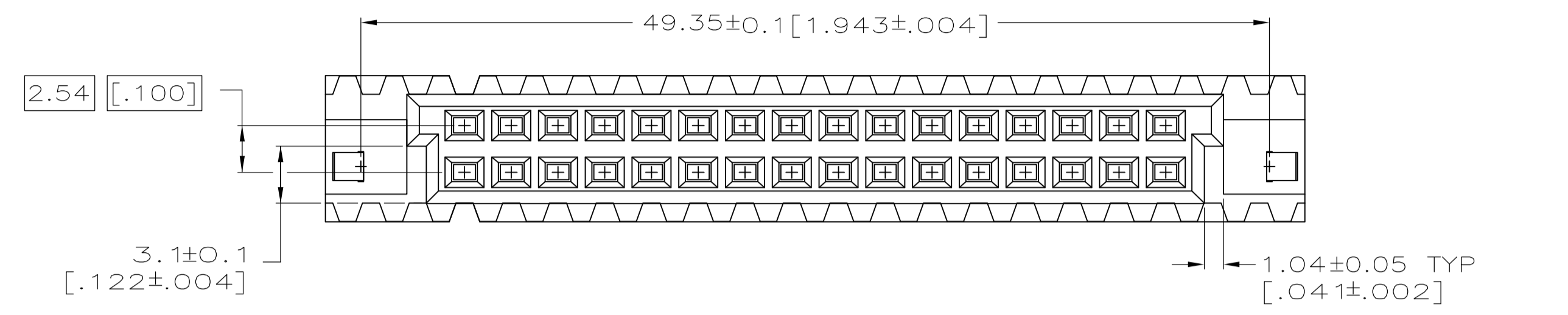
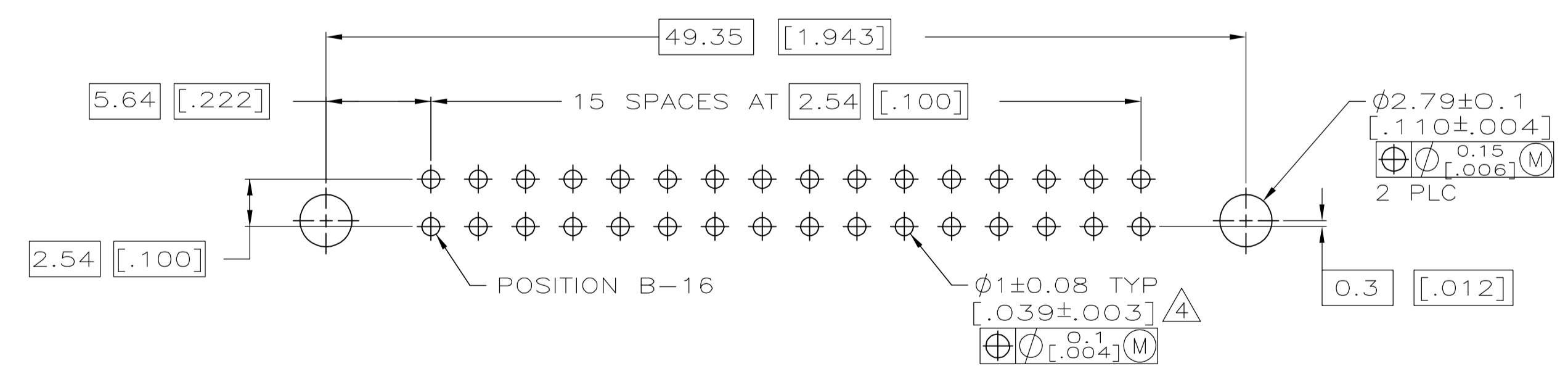
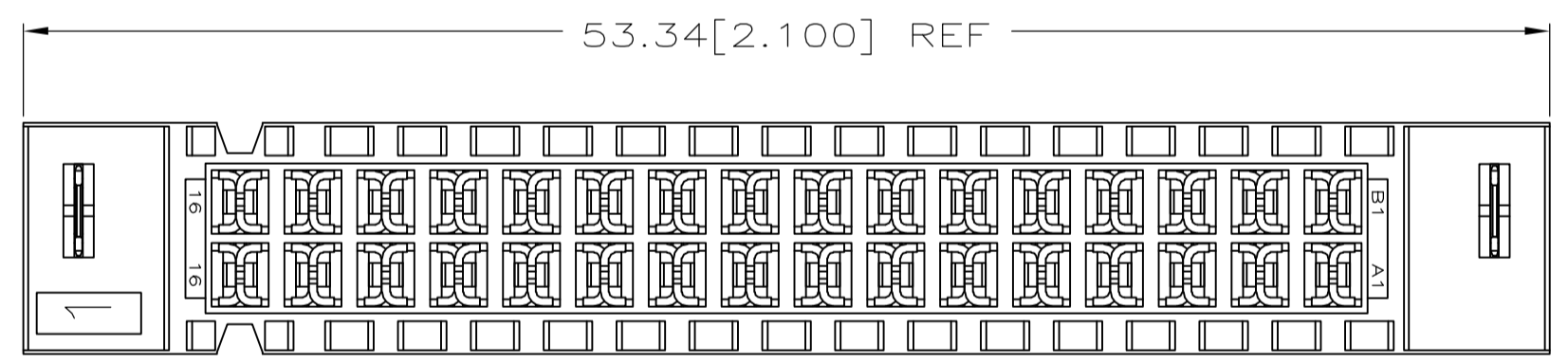


- ① HOUSING MATERIAL: GLASS-FILLED POLYMER.
- ② CONTACT MATERIAL: COPPER ALLOY.
- ③ CONTACT FINISH: DIN 41612 CLASS 2 IN CONTACT AREA. TIN PLATE ON POSTS.
- ④ RECOMMENDED HOLE SIZE FOR MANUAL APPLICATION OF CONNECTOR ONTO PC BOARD.
- ⑤ PART NUMBER, DATE CODE IDENTIFICATION, CSA LOGO IN THIS APPROXIMATE AREA ON OPPOSITE SIDE SHOWN.
- ⑥ CONTACT POINT.



SECTION X-X



PC BOARD LAYOUT

1-16	X	X	32	5536461-5
POSITIONS LOADED	B	A	NO. OF LOADED POSITIONS	ASSY PART NUMBER
	ROWS LOADED			

THIS DRAWING IS A CONTROLLED DOCUMENT.		DIN J. POLIGNONE 27MAY05		Tyco Electronics Corporation	
DIMENSIONS: mm [INCHES]		C/AK A. SHARPE 27MAY05		Harrisburg, Pa 17105-3608	
TOLERANCES UNLESS OTHERWISE SPECIFIED:		APVD A. SHARPE 27MAY05		NAME	
0 PLC	± -	PRODUCT SPEC		ASSEMBLY, RECEPTACLE, EUROCARD, TYPE B, LEAD-FREE, 32 POSITION, 4.57[.180] SOLDER POSTS WITH BOARD-LOCKS	
1 PLC	± -	APPLICATION SPEC		SIZE	
2 PLC	± -	WEIGHT		CAGE CODE	
3 PLC	± 0.13[.005]	SCALE		DRAWING NO	
4 PLC	± -	CUSTOMER DRAWING		A1 00779 C=5536461	
ANGLES	± -	SHEET		REV	
FINISH	③	SCALE 4:1		SHEET 1 OF 1	